

ME Series LED large format displays

Provide superior image quality while reducing energy consumption



Highlights

- Simplify installation and space management with a slim display that weighs only 23.1 lb
 - Display brilliant images with Clear Panel LED
 - Lower your organization's carbon footprint with eco-friendly materials and reduced panel heat emissions
 - Display a variety of content types with internal media player
 - Control and schedule content across displays with Smart Scheduling and RJ45 technology
-

Superior resolution within a slim, eco-friendly design

An increasing number of organizations are using large format displays (LFDs) to display their business content and to differentiate their organization from the competition. Companies need displays that offer excellent image resolution but are lighter weight and take up minimal space without increasing energy costs. Samsung ME Series LED LFDs deliver superior LED technology in a slim display. The use of eco-friendly materials during the manufacturing process and low power consumption makes the ME Series a sound choice.

ME LFDs use less energy, which lowers operating costs.

Achieve high impact with superior and smart LED technology

The Samsung ME Series includes the latest in advanced LFD features, including an internal media player and Clear Panel LED technology, in a slim, narrow design. The ME Series produces crisp images and extremely accurate color representation, a must when displaying large format content, such as high-definition videos and images. This professional LFD features a sleek, narrow design that is lightweight for easy installation and efficient use of space. The ME Series consumes less energy than a conventional LFD, helping reduce associated energy costs.

The eco-friendly ME Series LED LFD helps lower your company's carbon footprint.

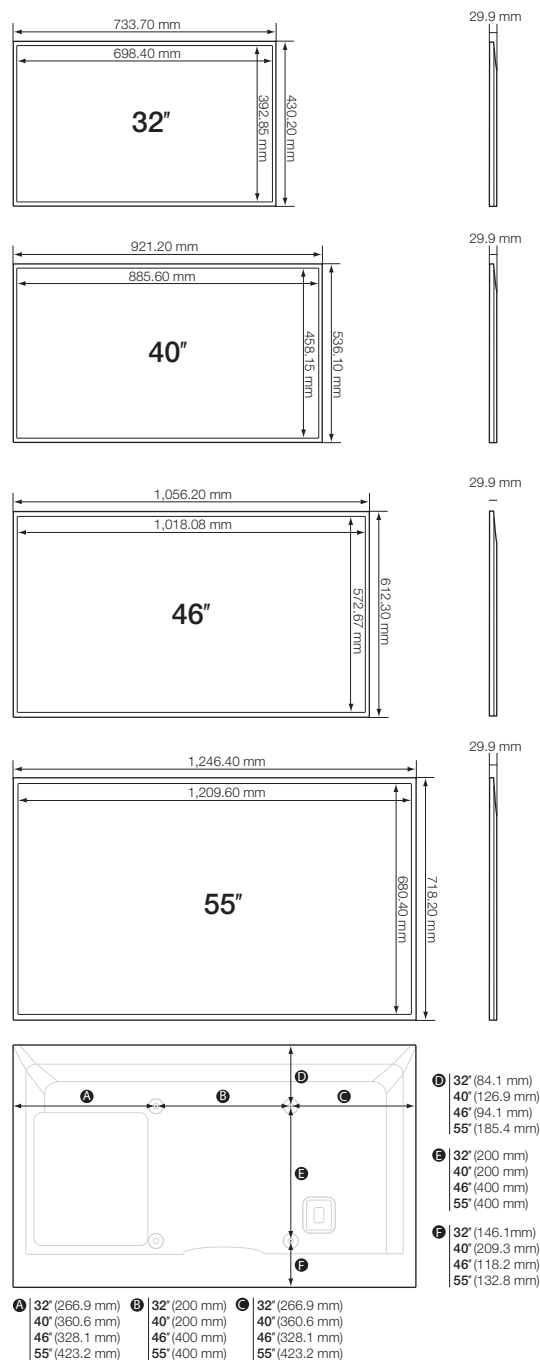


Figure 1. ME Series large format schematic

A slim design provides a larger viewing area on a lighter-weight display.

Improve space efficiency with sleek design

The sleek new design of the ME Series features a narrow bezel for a larger viewing area and reduced depth, compared to a conventional display built with cold cathode fluorescent lamp (CCFL) technology. The ME Series is 77 percent thinner than CCFL-based LFDs. The slim design enables businesses to use space more efficiently and simplifies installation. The ME Series weighs only 10.5 kg (23.1 lb).

Enhance picture quality with advanced LED technology

Clear Panel LED technology provides superior picture quality. ME Series LED LFDs produce sharper, more detailed images using contrast ratio enhancement. The ability of the display to reduce the reflection of light enhances readability even outdoors or in bright environments. Broader color contrast adds depth to black hues while a wider range of colors provides greater color depth and richness. In addition, a brightness sensor detects ambient light intensity and automatically adjusts the screen brightness.

Reduce energy waste with environmentally friendly materials

The ME Series LFD features mercury-, spray- and lead-free materials that minimize an organization's carbon footprint. Committing to environmentally friendly products can help a company comply with environmental regulations as well as contribute to a lower overall carbon footprint. The ME Series also consumes less power while emitting less heat. The lower product temperature allows for additional space around the LFD without exposing viewers or adjacent items to heat emissions.

Eliminate additional equipment costs while displaying a wide variety of content

ME Series LFDs include an internal media player that plays content directly from the LFD, eliminating the need for additional equipment and software. To play content on the LFD, the user connects a Universal Serial Bus (USB) storage device directly to the LFD. The need for unsightly cables connected to a set-back box or a PC is also eliminated. The embedded media player supports various content types, including images, music, video and even documents such as Microsoft® PowerPoint® files. Plus, 2.8 GB of internal memory allows users to copy frequently accessed files directly onto the LFD.

The ME Series also provides full connectivity to support all video sources, including USB, High Definition Multimedia Interface (HDMI), Video Graphics Array (VGA) and Digital Visual Interface (DVI).

Control and schedule content with Smart Scheduling and Multi Display Control

To control the display of sourced content, users can set up to 24 different timers, including a holiday management option, using the Smart Scheduling feature. With the built-in computer and MagicInfo™ Lite software, users can easily manage content over a LAN or WAN, and display content from a server or a USB storage device.

The ME Series also includes an upgraded Multi Display Control solution that enables administrators to control multiple monitors through their embedded RS232 and RJ45 interfaces. Multi Display Control helps users easily and remotely manage monitors over short and long distances.

Samsung ME Series models

ME32B, ME40B, ME46B and ME55B

Specifications

Model		ME32B	ME40B	ME46B	ME55B	
Panel	Diagonal size	800 mm (32 in.)	1,016 mm (40 in.)	1,168 mm (46 in.)	1,397 mm (55 in.)	
	Type	60 Hz LED BLU	60 Hz LED BLU	60 Hz LED BLU	120 Hz LED BLU	
	Resolution	1,920 x 1,080 (16:9)				
	Pixel pitch	0.121 mm (H) x 0.364 mm (V) (.0050 in. x .0140 in.)	0.154 mm (H) x 0.461 mm (V) (.0060 in. x .0180 in.)	0.177 mm (H) x 0.530 mm (V) (.0070 in. x .0210 in.)	0.210 mm (H) x 0.630 mm (V) (.0100 in. x .0200 in.)	
	Active display area	698.40 mm (H) x 392.85 mm (V) (27.5 in. x 15.5 in.)	885.60 mm (H) x 498.15 mm (V) (34.90 in. x 19.60 in.)	1,018.08 mm (H) x 572.67 mm (V) (40.08 in. x 22.55 in.)	1,209.60 mm (H) x 680.40 mm (V) (47.60 in. x 26.80 in.)	
	Brightness (Typ.)	350 nit	350 nit	350 nit	380 nit	
	Contrast ratio	5000:1				
	Viewing angle (H/V)	178/178				
	Response time (G-to-G)	8 ms				
	Display colors	16.7 M	16.7 M	16.7 M	10-bit dithering - 1.07 B	
	Color gamut	72%				
	Display	Dynamic C/R	100,000:1 (AV Mode)			
H-Scanning frequency		30 - 81 kHz				
V-Scanning frequency		48 - 75 Hz				
Maximum pixel frequency		148.5 MHz				
Con-nectivity	Input	RGB	Analog D-sub, DVI-D, DisplayPort			
		Video	Component (CVBS common), HDMI			
		Audio	Stereo mini jack			
	Output	RGB	DVI-D			
		Video	-			
		Audio	Stereo mini jack			
		Power out	-			
	External control	RS232C (in/out) thru stereo jack, RJ45				
External sensor	IR, ambient light					
Power	Power supply	AC 100 - 240 V (+/- 10 %), 50/60 Hz				
	Power consumption	Max [W/h]	71	102	110	143
		Typical [W/h]	64	86	92	117
		BTU (Max)	242.11	347.82	375.1	487.63
		Sleep mode	-			
		Off mode	Less than 1 W			

Samsung ME Series models ME32B, ME40B, ME46B and ME55B

Specifications, continued

Model		ME32B	ME40B	ME46B	ME55B		
Mechanical spec	Dimensions	Set	733.70 mm x 430.20 mm x 29.90 mm (28.9 in. x 16.9 in. x 1.2 in.)	921.20 mm x 536.10 mm x 29.90 mm (36.3 in. x 21.1 in. x 1.2 in.)	1056.30 mm x 612.30 mm x 29.90 mm (41.6 in. x 24.1 in. x 1.2 in.)	1246.40 mm x 718.20 mm x 29.90 mm (49.1 in. x 28.3 in. x 1.2 in.)	
		Package	811.0 x 525.0 x 120.0 (31.9 in. x 20.7 in. x 4.7 in.)	1036.0 x 633.0 x 150.0 (40.8 in. x 24.9 in. x 5.9 in.)	1170.0 x 730.0 x 199.0 (46.1 in. x 28.7 in. x 7.8 in.)	1364.0 x 848.0 x 199.0 (53.7 in. x 33.4 in. x 7.8 in.)	
	Weight	Set	6.5 kg (14.3 lb)	10.5 kg (23.1 lb)	12.5 kg (27.6 lb)	17.1 kg (37.7 lb)	
		Package	7.6 kg (16.7 lb)	12.9 kg (28.4 lb)	16.6 kg (36.6 lb)	22.2 kg (48.9 lb)	
	VESA mount		200 mm x 200 mm (7.9 in. x 7.9 in.)	200 mm x 200 mm (7.9 in. x 7.9 in.)	400 mm x 400 mm (15.7 in. x 15.7 in.)	400 mm x 400 mm (15.7 in. x 15.7 in.)	
	Protection glass		Optional				
	Stand type		Foot stand (optional)				
	Media player option type		Embedded				
	Bezel width		15.1 mm (Bottom 16.6 mm) (0.59 in., 0.65 in.)				
Operation	Operating temperature	10°C - 40°C (50°F - 104°F)					
	Humidity	10 - 80%					
Feature	Key		Slim and light LFD with built-in MagicInfo™ Lite				
	Special		Built in MagicInfo™ Lite, built-in speaker (10 W + 10 W), plug and play (through USB), narrow bezel, slim depth (29.9 mm)				
	Internal player (Embedded H/W)	Processor		Cortex-A8 single core CPU with NEON DSP			
		On-Chip cache memory		L1 (I/D): 32KB / 32KB L2 (Unified): 512KB			
		Clock peed		Up to 800 MHz			
		Main memory interface		Dual 32 bit DDR3-667 (1333 MHz)			
		Graphics		2D & 3D graphics engine - Up to 1,920 x 1,080, 32bpp - Supports OpenGL ES			
		Storage (FDM)		4GB (1.2GB Occupied by O/S, 2.8GB Available)			
		Multimedia		Video decoder - MPEG-1/2, H.264/AVC (dual) - VC-1, JPEG, PNG Audio DSP (decoder) - AC3 (DD), MPEG, DTS and so on			
		Host bus		PCIEx 2.0			
		IO ports		USB 2.0			
		Operating system		Linux®			

Samsung ME Series models

ME32B, ME40B, ME46B and ME55B

Specifications, continued

Model		ME32B	ME40B	ME46B	ME55B	
Certification		cUL (USA+Canada): UL60065 TUV (Germany): EN60065 CB (Europe): IEC60065/EN60065 EK (Korea): K60065 CCC (China): GB8898 PSB (Singapore): IEC60065 GOST (Russia): IEC60065, EN55022 SIQ (Slovenia): IEC60065, EN55022 PCBC (Poland): IEC60065, EN55022 NOM (Mexico): NOM-001-SCFI-1993 IRAM (Argentina): IRAM SASO (Saudi Arabia): IEC60065				
	EMC	FCC (USA) FCC Part 15, Subpart B class A CE (Europe) EN55022, EN55024 VCCI (Japan) V-3 (CISPR22) KCC (Korea): KN22, KN24 BSMI (Taiwan): CNS13438 (CISPR22) C-Tick (Australia): AS/NZS3548 (CISPR22) CCC (China): GB 9254-2008, GB 17625.1-2003				
	Environment	Energy Star® 5.0 (USA)				
Accessories	Included	Quick Setup Guide, Warranty Card, Application CD, D-Sub cable, Power Cord, Remote Controller, Batteries, RS232C to Stereo Gender in/out Cable, Component Gender, Holder P-Ring, Holder Wire Stand				
	Optional	Stand	STN-L32D	STN-L4055AD		
		Mount	WMN4070SD WMN250MD	WMN4070SD WMN250MD	WMN4270SD WMN250MD	WMN4270SD WMN250MD
		Specialty	CML400D (Ceiling mount)		CML450D (Ceiling mount)	

Samsung ME Series models ME32B, ME40B, ME46B and ME55B

System requirements

		Middle stage	High end
CPU		AMD A4-3300M series APU - 1.9 GHz (Boost up to 2.5 GHz) Dual-core - TDP 35 W - 128 KB (L1) and 1 MB (L2) Cache per core - Socket FS1	AMD A8-3500M series APU - 1.8 GHz (Boost up to 2.5 GHz) Quad-core - TDP 45 W
Memory		2 GB DDR3 SODIMM (1105-002181)	4 GB(2 GB x 2) DDR3 SODIMM (1105-002181)
North bridge		Integrated on APU	
FCH (Fusion control hub) South bridge		Hudson M3 SATA II controller - USB 2.0 Host controller - USB 3.0 Host controller - HD Audio codec (Azalia) support	
Graphics		AMD Radeon HD 6400M series (integrated)	AMD Radeon HD 6600M series (integrated)
		- Video memory: Shared up to 1 GB - 2D/3D acceleration engine - UVD3 (H.264, MPEG part2, VC-1, MPEG2 support)	
Audio		AMD HDMI audio	
LAN		Realtek RTL8111DP	
Ext. Slot		No expansion slot available	
Storage interface		m-SATA x 1	
Storage device		m-SATA SSD 16/32 GB	
Graphics		Integrated on APU	
IO ports	MagicInfo™	Single channel DP port (up to 1080 p)	
	2nd video	Display port out	
	LAN	GbE Ethernet LAN (RJ-45)	
	USB	External USB 2.0 port x 2, External USB 3.0 port x 2	
	Audio	Built-in 'MagicInfo™ out' port	
	Serial	RS-232 (D-sub 9 p) x 1	
Power		70 W, 110 V - 220 V	

Legal and additional information

About Samsung Electronics Co., Ltd.

Samsung Electronics Co., Ltd. is a global leader in semiconductor, telecommunication, digital media and digital convergence technologies with 2011 consolidated sales of US\$143.1 billion. Employing approximately 222,000 people in 205 offices across 71 countries, the company operates two separate organizations to coordinate its nine independent business units: Digital Media & Communications, comprising Visual Display, Mobile Communications, Telecommunication Systems, Digital Appliances, IT Solutions, and Digital Imaging; and Device Solutions, consisting of Memory, System LSI and LCD. Recognized for its industry-leading performance across a range of economic, environmental and social criteria, Samsung Electronics was named the world's most sustainable technology company in the 2011 Dow Jones Sustainability Index. For more information, please visit www.samsung.com.

For more information

To learn more about the Samsung ME Series LED LFDs, see your Samsung representative or visit www.samsungLFD.com.



Copyright © 2012 Samsung Electronics Co. Ltd. All rights reserved. Samsung is a registered trademark of Samsung Electronics Co. Ltd. Specifications and designs are subject to change without notice. Non-metric weights and measurements are approximate. All data were deemed correct at time of creation. Samsung is not liable for errors or omissions. All brand, product, service names and logos are trademarks and/or registered trademarks of their respective owners and are hereby recognized and acknowledged.

Microsoft and PowerPoint are trademarks of Microsoft Corporation in the United States, other countries, or both.

Samsung Electronics Co., Ltd.
416, Maetan 3-dong,
Yeongtong-gu
Suwon-si, Gyeonggi-do 443-772,
Korea

www.samsung.com
