



## Kiosk Heavy Duty Stand

### Kiosk Heavy Duty Stand



Need a rock solid kiosk floor stand designed for kiosks or displays up to 42"? Our heavy duty kiosk floor stand will foot the bill. This study stand is made of industrial-strength steel designed to support a wide range of kiosks or touch screens from our 15" kiosk all the way up to our 42" kiosk. From kiosks for staff check-in, to patient check-in, to visitor management, this stand will hold up to daily use. Add accessories like a printer or ID scanner stand, keyboard, casters, document holder, or custom graphics to customize this for your organization!

#### ADDITIONAL OPTIONS

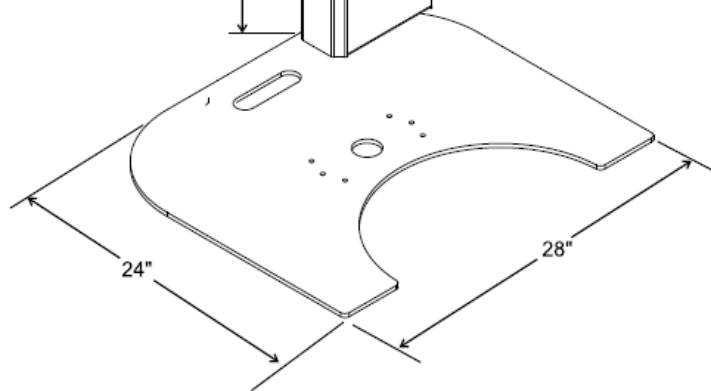
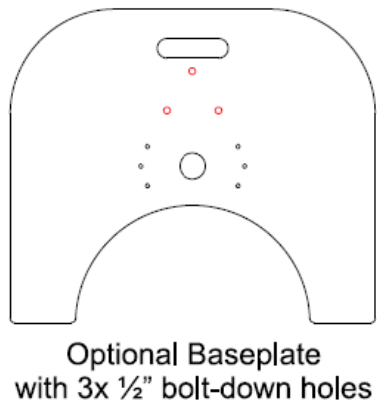
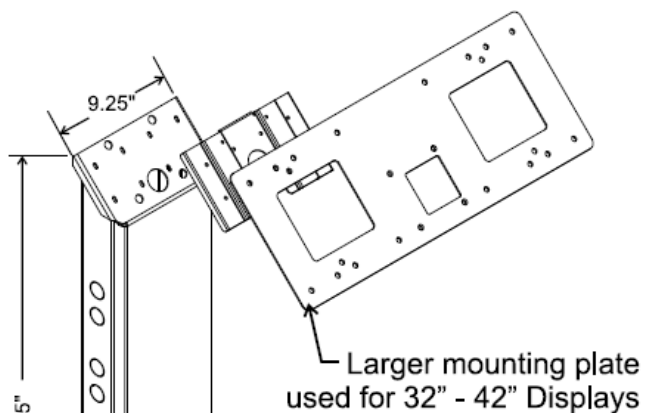
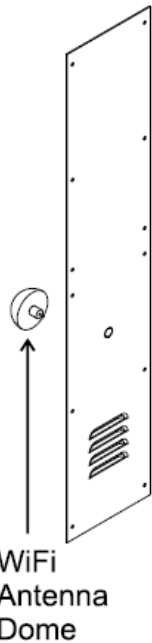
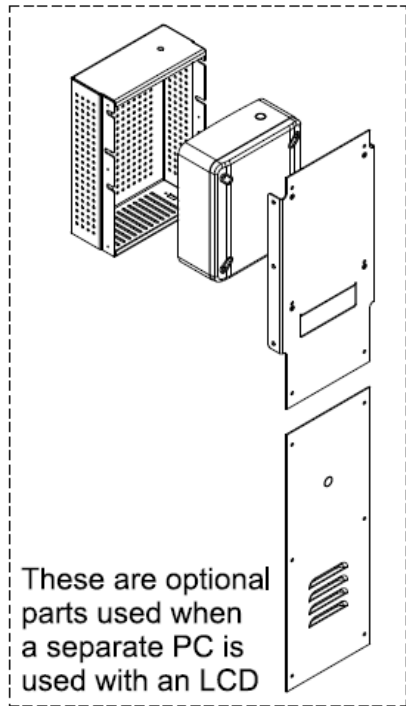
- Printer Tray
- Stainless Steel Keyboard
- Cherry Keyboard
- Barcode Imager
- MSR
- Barcode Badge Reader
- Custom Graphics - Oval Sign Panel
- Document Holder
- Casting (Wheels)





# Kiosk Heavy Duty Stand

## Heavy Duty Stand Cut Sheet



Net Weight about 90 Lbs. (without display)